

# KUM Series Intelligent Ultrasonic Level Sensor

## 1. Brief Introduction

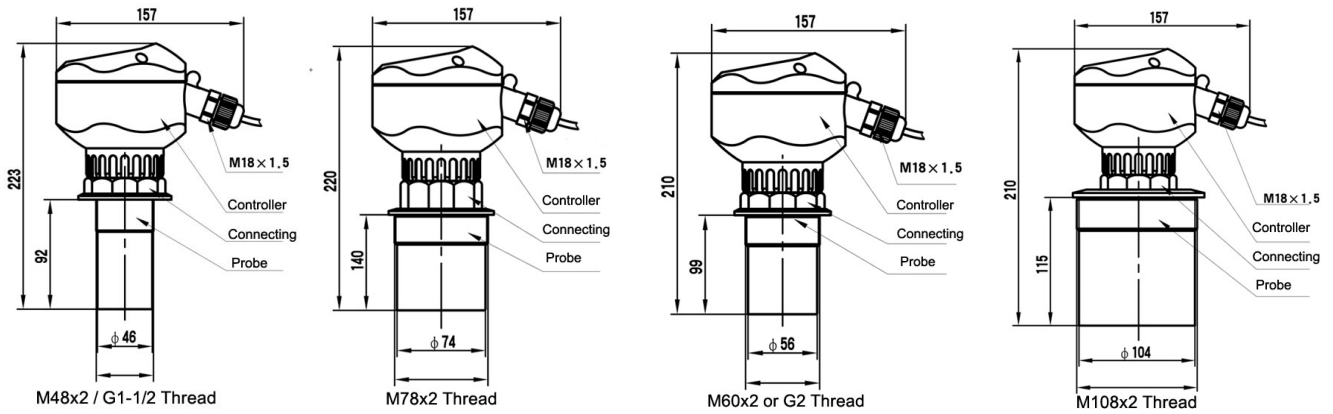
KUM ultrasonic level (material, liquid level) sensor, is a non-contact, high reliability, cost-effective, easy to install and maintain level measurement instruments. It does not have to contact medium and it can meet most of the requirement of level measurement.

## 2. Technical data

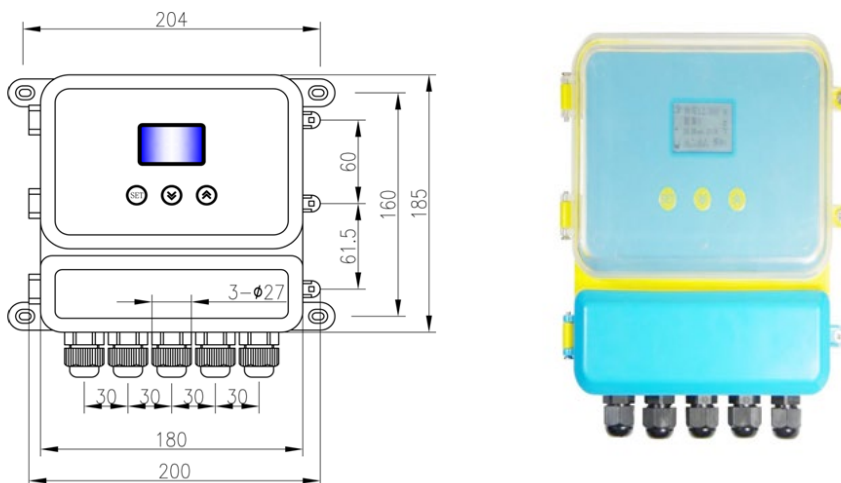
Parameter	Compact type	Split type
Range	5m,10m,15m,20m,30m,40m,50m,60m	5m,10m,15m,20m,30m,40m,50m,60m
Accuracy	0.5%~1%	
Resolution	3mm or 0.1% (The larger one is effective)	
Display	English LCD	English LCD
Analog Output	4wire 4~20mA/510Ω load 2wire 4~20mA/250Ω load	4~20mA/510Ω load
Relay Output	2 way AC 250V/5A or DC 30V/5A, programmable (optional)	2 or 4 way AC 250V/ (NO:10A,NC:6A) or DC 24V/ 10A, programmable (optional)
Power Supply	24VDC (default) 220V AC±15%@50Hz 12VDC Battery	24VDC 120mA (default) 220V AC±15%@50Hz 12VDC Battery
Environment Temperature	Display instrument-20~+60℃, transducer-20~+80℃	Display instrument -20~+60℃, transducer-20~+80℃
Communication	RS485, RS232 (optional)	
Protocol	Modbus-RTU	
Protection	Display instrument IP66, transducer IP68	
Transducer Cable	no	Default 10m Max. 100m can be ordered (when without electromagnetic interference)
Transducer Installation	According to range and transducer	According to range and transducer
Power Consumption	<p>The specific power of split-type is as follows:            With only mA output, it is 1.5W/24V (standard);            With only RS485 output, it is 0.9W/24V (optional);            With both RS485 and mA output, it is 1.6W/24V (optional);            Add two relays, the power is increased by 0.8W/24V (optional);            The power of 220VAC split-type is 5W/220VAC.</p> <p>The specific power of compact four-wire instrument is as follows:            With only mA output, it is 1W/24V (standard);            With only RS485 output, it is 0.6W/24V (optional);            With both RS485 and mA output, it is 1.1W/24V (optional);            Add two relays, the power is increased by 1W/24V (optional);            The power of 220VAC compact four-wire instrument is 5W/220VAC.</p> <p>24V compact two-wire instrument output power and instrument output current value are related: (4mA/0.096W-20mA/0.48W)</p>	

### 3. Installation dimensions:

#### 3.1 KUM-A Compact enhanced ultrasonic level sensor:



#### 3.2 KUM-B Split type standard ultrasonic level sensor:



**3.3 KUM-E compact explosion-proof ultrasonic level sensor:**

